

FSB ASL[®]

Added benefits, flexibility
and value



Your benefit: full flexibility both
in retail contexts and on site



Non-directional positive mechanism spring

Entrance-door sets with a symmetrical door lever handle
can likewise be deployed universally!

FSB ASL® – new Product Group 12

Better product for the same price*

Your benefits at a glance:

- “all in one” single-set packing
- non-handed
- concealed guide ring
- spring mechanism
- operates with all current handle designs
- bearing fixed but free to rotate
- stainless steel-reinforced base
- M5 stainless steel screw fixing
- 45° angle of rotation
- rapid assembly
- 20 mm door-thickness increments
- EN 1906 Class 4 certified

* Same price as the Product Group 10
bearing

Added benefits, flexibility and value: FSB ASL® – the new bearing from FSB




FSB ASL® boasts impressively functional engineering together with a discreet design in which the guide ring is no longer visible!

FSB ASL®: the new adaptor technology from FSB

The FSB ASL® bearing sets new standards. FSB ASL® is a considerably enhanced and upgraded version of its predecessor bearing. It supersedes Product Groups 10 and 11 as the new Product Group 12 .

FSB ASL® is always supplied as a set and can be universally deployed as both a “righthand” and a “lefthand” model. Whilst the standard variant for door thicknesses of from 39–58 mm caters to virtually all scenarios, FSB ASL® is also available to order for a far greater range of thicknesses at both ends of the scale (29–98 mm). Rounding off the benefits of our new heavy-duty bearing are through fixing with M5 screws in stainless steel, a 45° operating angle and a non-directional spring mechanism.

This is just one reason why FSB ASL® enjoys Class 4 approval under DIN EN 1906.

Classification key :
4 7 – 0 1 4 0 A

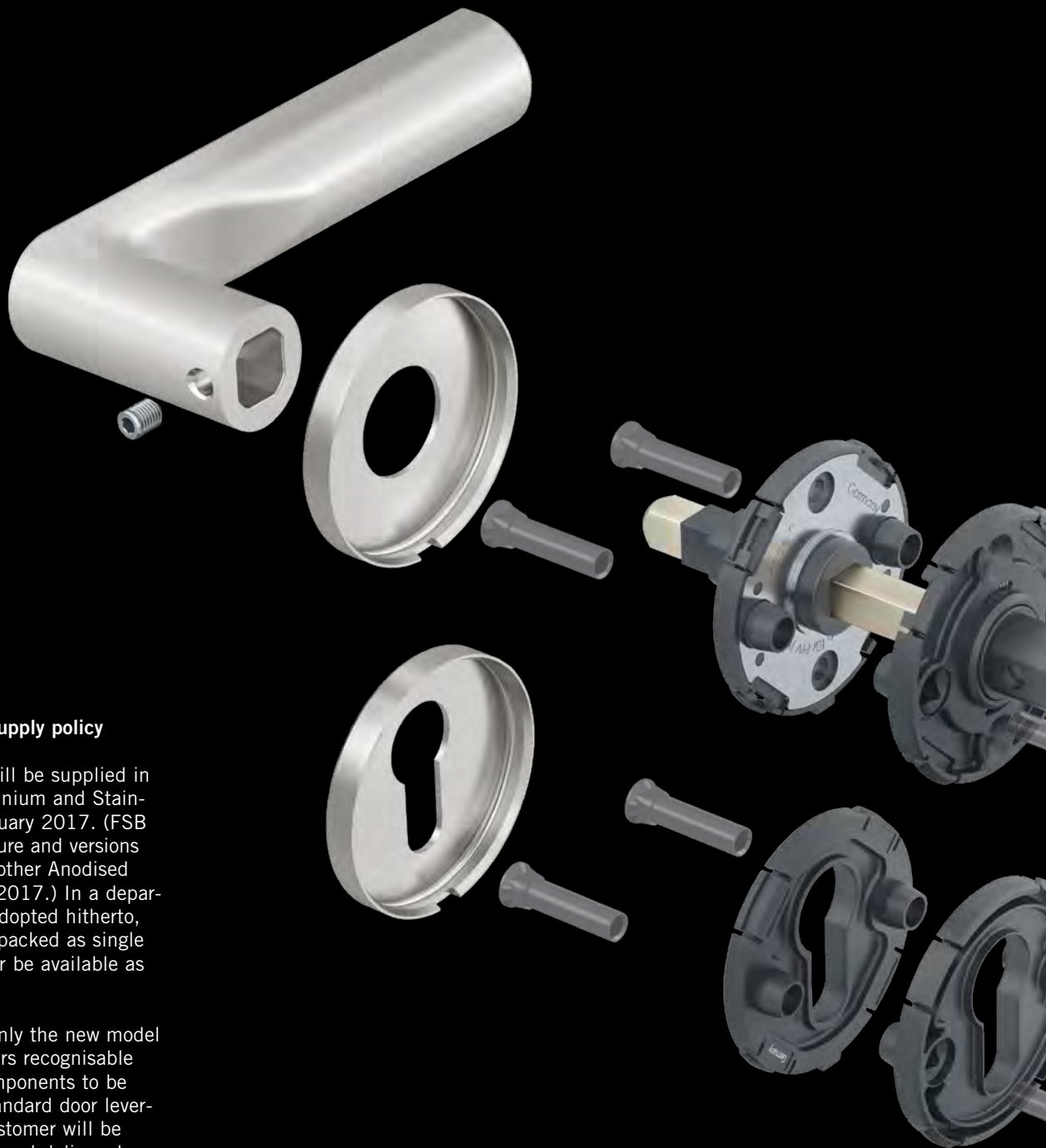
Certificates as provided for in DIN EN 1906 are set to become available by year-end 2016.

It is our aim with this innovation to meet the many and varied demands made of public project buildings whilst also opening up a greater degree of flexibility to our trade-stockist partners and sales middlemen in their day-to-day business – both for warehousing purposes and as regards handling either sets or individual components at the assembly stage. Moreover, the significantly improved price/performance ratio attained will make canvassing and consultancy in the public project business easier for our market partners. Prices currently set for hardware from Product Group 10 as per the 2016 price-list will continue to apply in 2017. The material, design and quality attributes you have come to know and love are retained to the same exacting standard.

The overview alongside sets out the various benefits of the new system, as well as those of our AGL® furniture or window handles for narrow profiles with which you are already familiar, whilst also illustrating the basic technical make-up of the new FSB ASL® hardware equipped with adaptor technology.



FSB ASL® at a glance



New, more efficient supply policy

The new PG12 sets will be supplied in Silver Anodised Aluminium and Stainless Steel as of 1 January 2017. (FSB ASL® backplate furniture and versions in Bronze, Brass and other Anodised Colours as of 1 April 2017.) In a departure from the policy adopted hitherto, they will be supplied packed as single sets and will no longer be available as loose components.

As of 1 April 2017, only the new model will be supplied. Orders recognisable as being for loose components to be assembled to form standard door lever-handle sets by the customer will be automatically entered and delivered as individually packed FSB ASL® sets by FSB. Your regional FSB contact persons will be glad to answer any queries you may have on this point.

Illustrative breakdown of the FSB ASL® product code:

12 1076 013 10 6204

① ② ③ ④ ⑤

- ① Product Group (PG)
- ② Lever handle model
- ③ Rose/backplate
- ④ Keyway
- ⑤ Material/finish

Product variants

- Rose hardware (round + square) with PC, CH and RC keyways as well as for bathrooms
- Short and long backplate furniture (oval + square) with PC, CH and RC keyways as well as for bathrooms
- All variants also as lever/fixed-knob furniture
- In Aluminium, Stainless Steel, Brass and Bronze

Adaptor

The adaptor technology adopted makes for extremely simple and rapid assembly,

- because the baserose is screwed to the door leaf first, without either its cover or the handle
- and additionally because it is no longer necessary to “screw past” the handle shank.

Non-directional spring mechanism

The positive mechanism fitted conforms to the DIN EN 1906 standard / Type of Operation A and facilitates an angle of rotation of up to 45°. The positive mechanism springs fitted provide effective support for the lock follower spring. The interaction between the two serves to prevent heavy door handles sagging.

The positive mechanism acts in both directions, moreover, allowing the furniture to be fitted for either “righthand” or “lefthand” operation – which is particularly useful if it ever needs to be converted to fixed-knob/lever (entrance-door) furniture on site. This benefit obtains unreservedly even for entrance-door sets with a symmetrical door lever handle – hardware of this kind can likewise be deployed universally and non-directionally! The same applies with regard to any modifications required in the event of door thicknesses altering; due to the system operating with two female parts and a full-length spindle, on-site modifications are straightforwardly possible here, too.

Cover rose

The single-section roses and backplates are precision-fixed adopting the proven FSB clip-on technique.

Stainless steel-reinforced base

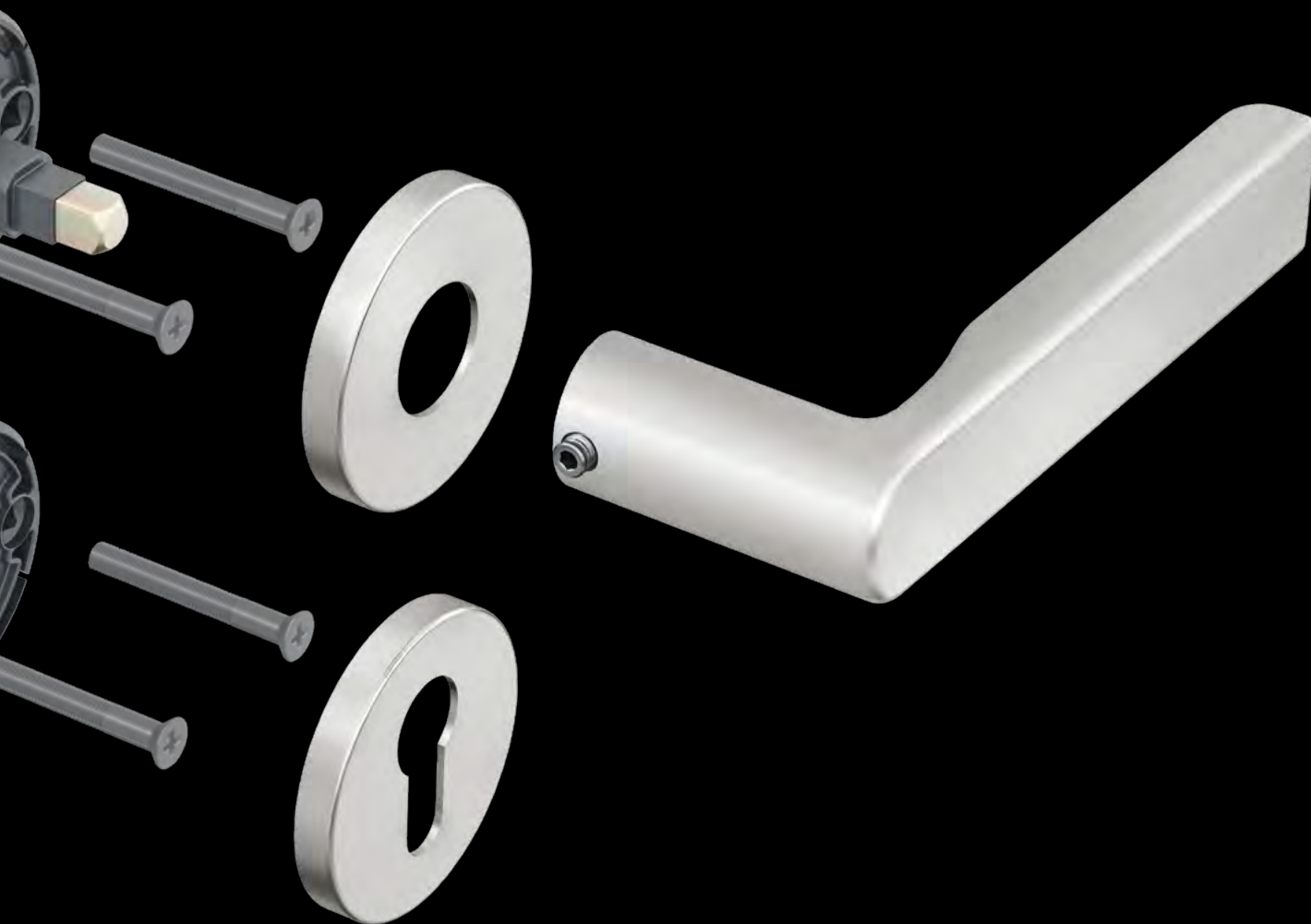
The combination of stainless-steel reinforcement and GFR plastic significantly enhances the tensile forces to which FSB ASL® hardware can be subjected.

M5 threaded bushes

Fixing either by means of through-fixed M5 stainless steel screws with retention lugs and threaded bushes in steel or of four timber screws and no retention lugs.

Solid spindle

The 7 mm or 8 mm solid spindle caters to door thicknesses of from 39–58 mm; version for thicknesses of from 29–98 mm likewise suppliable; further thicknesses to order.





Franz Schneider
Brakel GmbH + Co KG

FSB

Nieheimer Straße 38
33034 Brakel
Germany

Phone +49 5272 608-0
Fax +49 5272 608-300
www.fsb.de · info@fsb.de